

	<h1>ACORN</h1> <h2>October 2009</h2>
<p>ANDY Club Officers President: Bill Woodhead N1KAT Vice President: Earle Gilmore N1SVB Treasurer: Ivan Lazure N1OXA Secretary: Dick Knight N1NYW Trustee: Norm L' Heurreux W1SCM</p>	<p>Androscoggin Amateur Radio Club (AARC) PO Box 1, Auburn ME 04212-0001 http://www.w1npp.org/ Repeater 146.610MHz – No pi tone Goff Hill, Auburn Maine</p>
<p>Please submit articles, corrections and suggestions to David WE1U we1u.david@gmail.com</p>	

Table of Contents

Events.....1
 Andy Club Meetings.....2
 Sunspots, climate and propagation – Jerry K1WTX.....2
 Circuit of the Month: NOT Gate – David WE1U.....3
 Knotty Thoughts: Exploding Hitches – David WE1U4
 Secretary's Report by Dick N1NYW.....5
 DX News Earle N1SVB.....6

Events

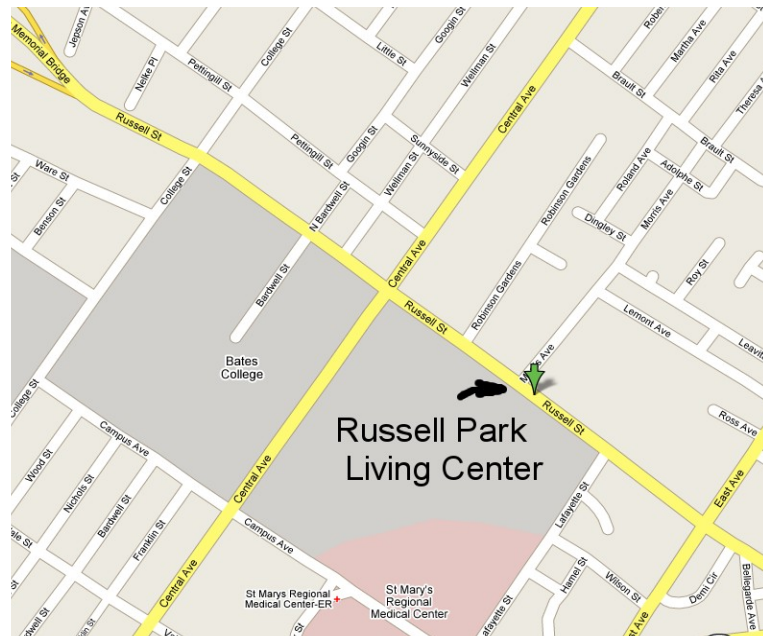
- Dempsey Challenge SAG setups Saturday October 3rd 9:00am
- Dempsey Challenge Sunday October 4th
- Special Event Station N1D for Dempsey Challenge Sunday October 4th
- American Red Cross Shelter Operations for ARES Members October 13th 7:00pm
- Near-Fest Friday and Saturday October 16th and 17th
- Special Event Station K1A JOTA Saturday 17th
- Maine Simulated Emergency Test October 24th
- Daylight Savings Time Ends Sunday November 2nd 0200EDT becomes 0100EST

Andy Club Meetings

Wednesday October 7th 1830EDT
 Androscoggin ARES
 and Andy Club Meeting
 Russell Park Living Center
 158 Russell Street, Lewiston, ME

Wednesday October 28th 0730EDT
 Monthly Breakfast
 Ramada Inn, Pleasant Street
 Lewiston, ME

Wednesday October 28th 1900EDT
 Andy Club On-air Meeting and Net
 on the Auburn Repeater
 146.610MHz no pl. tone



Sunspots, climate and propagation – Jerry K1WTX

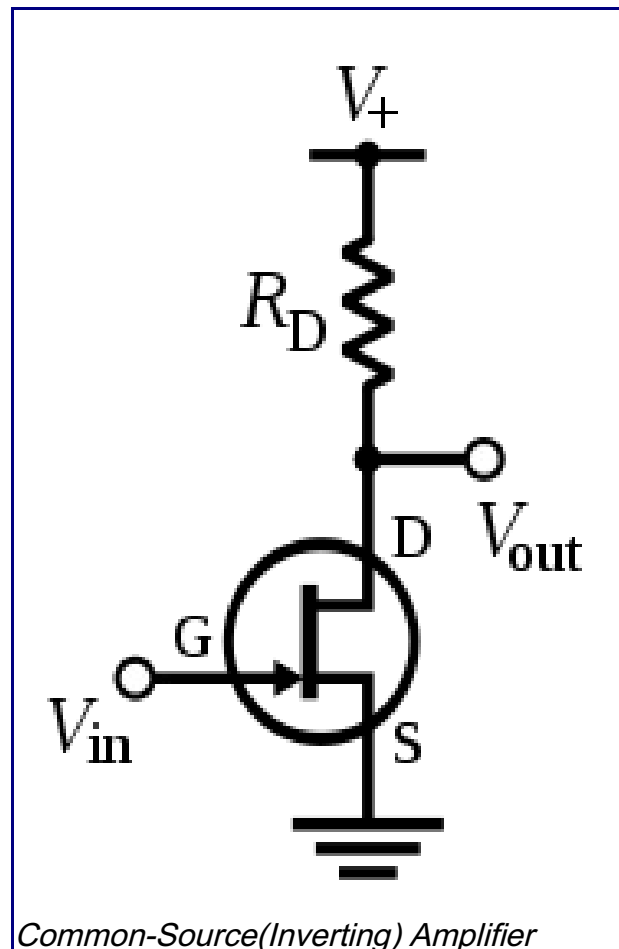
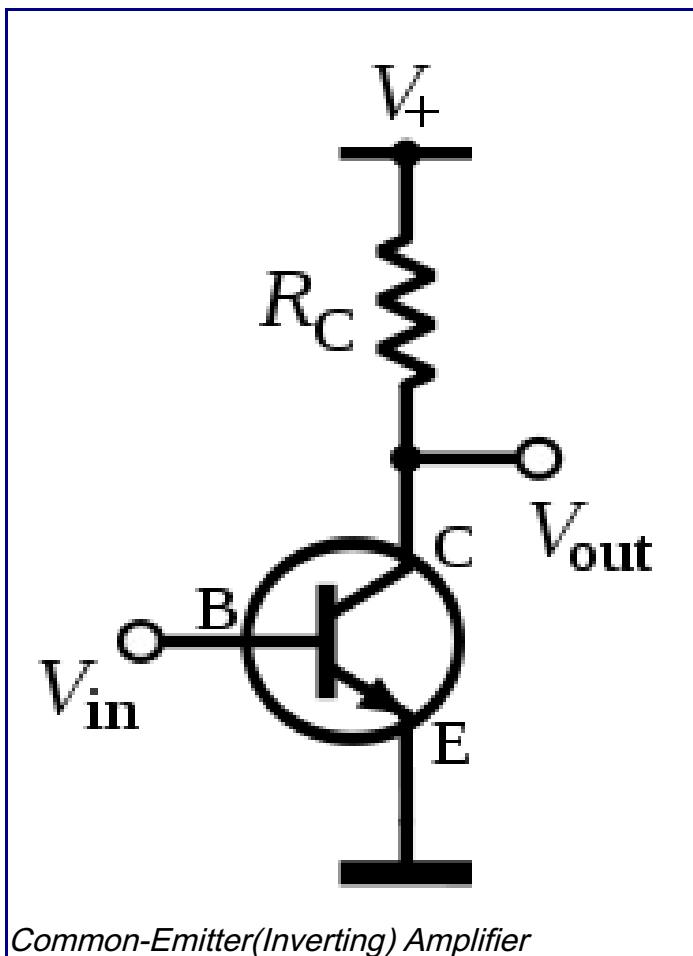
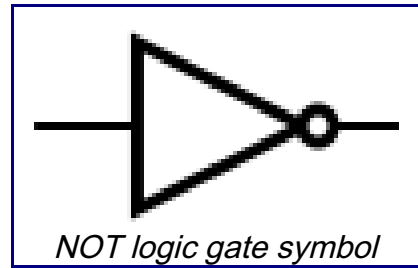
Where are the sunspots? I am not such an avid dx-er that I follow the sunspots daily but I have certainly seen enough info. from NOAA, NASA and other space weather sites over the summer to know that the promised climb out from the past minimum is NOT happening yet and in fact, we may be entering a period of minimum solar activity that hasn't been seen in a century. Several sources say that not a single spot was observed in August and the experts are puzzled. During a brief display of sunspots over the 25th and 26th of Sept., I did manage two qrp contacts with 0Z7X and L1IS in Denmark and Norway at 1140z during the Scandinavian contest on 20m ssb. If the experts are right, conditions like that may be the exception and antenna quality and brute power may be in order in the coming years.

Oddly enough, along with the lack of solar activity, there is news in the world of climatology that something may be amiss with the current concept of global warming. A slowdown in the rate of warming, and in some cases a slight cooling has been underway across northern latitudes since 2001 and while it won't be headline news unless it is a permanent thing, our recent summers and this current September is a good example. Across much of our part of the country, the coolest Sept. in at least ELEVEN years (what a coincidence) will go into the records. It takes time to research past climate data, even in this information age and while I haven't checked all of the northeast, a look at Concord NH, Portland, ME and Augusta, ME mirror what I recorded here on the Hill in Turner; the coolest Sept. since 1999 and the ONLY Sept. since 1999 to be cooler than normal. That's the most glaring proof locally of climate change.....an eleven year run of warmer than normal Septembers, which, for some reason, ended abruptly this year. There is buzz among earth and space scientists recently that there may be a connection between climate cycles and sunspot activity. I seem to remember that farmer's almanacs over the years have always made that claim. Funny how we have to keep reinventing the wheel and then claim it's a new finding. So, we may be in for a change in the weather, as well as propagation, only time will tell.

<http://www.megalink.net/~wxman46/>

Circuit of the Month: NOT Gate – David WE1U

The **NOT** gate inverts the input state, hence it is also referred to as a **INVERTER**. The symbol resembles the op amp with a single input and a bubble (inverting) output, which describes its function. The **NOT** gate can be built with a Common-Emitter (or Source) Amplifier, which amplifies and inverts the input. Being an amplifier, it buffers the input circuit from the output load. Logic circuits are combined to form logic functions and memory circuits, next month the flip-flop.



Source URLs:

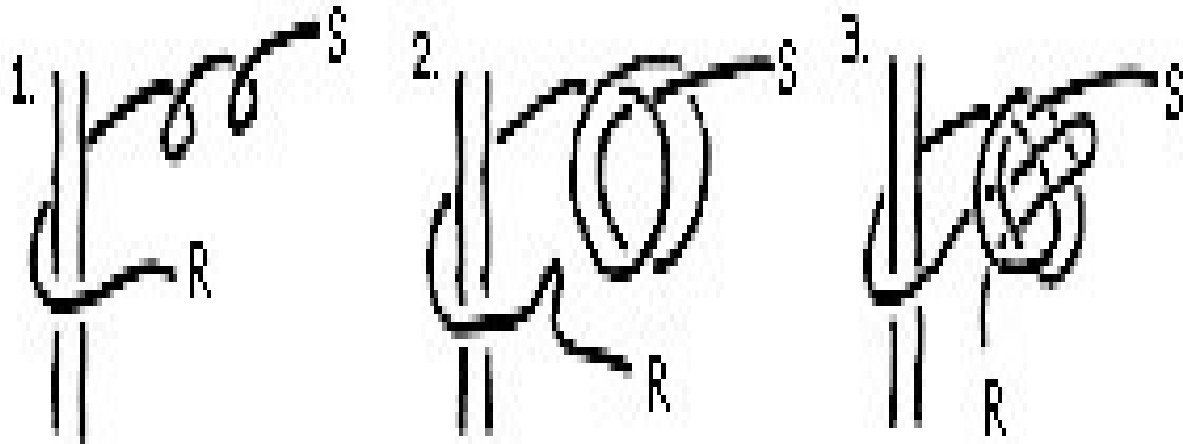
http://en.wikipedia.org/wiki/Logic_gate

http://en.wikipedia.org/wiki/Common_source

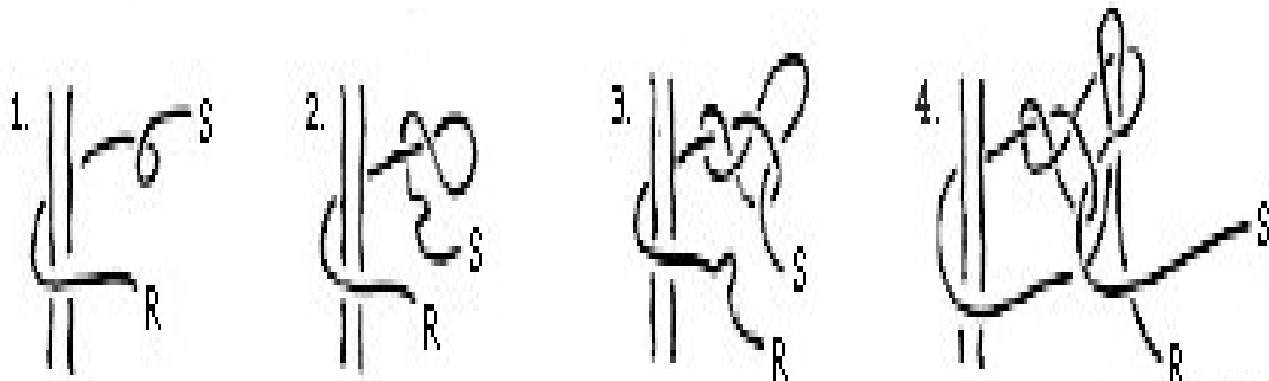
http://en.wikipedia.org/wiki/Common_emitter

Knotty Thoughts: Exploding Hitches – David WE1U

Peter Suber wrote of six knots that replace the standing end of the rope with a bight for a ripcord, “biting the bight”. The Clove and Figure-eight exploding knots, for lines under load, are tighten by putting a load on the standing end. The disadvantage with exploding knots are loosening with a whipping line and accidently pulling on the ripcord.



Suber



Suber

Figure-eight Biting the Bight

Source URL:” Six Exploding Knots” by Peter Suber:
<http://www.earlham.edu/~peters/writing/explode.htm>

Secretary's Report by Dick N1NYW

A meeting of the Androscoggin Amateur Radio Club was held Wednesday September 2, 2009 at Russell Park in Lewiston Maine. In attendance: N1LLU, WE1U, N1OXA, KB1RSD, N1WFO, N1NYW, W1SCM and son Charles, KB1DOI, WA1EOJ, N1KAT, N1JD, WB1HFY, N1ARY, N1SVB, W1SAB, KB1QHR, K1WTX, W1LTX, NA1B.

The meeting was called to order at 7:05 PM by President Bill Woodhead N1KAT. Earle N1SVB made a motion to accept the Secretary's report as printed in the ACORN, seconded by Andy KB1DOI. Vote: approved.

Ivan gave the Treasurers' report followed by a motion to accept the report by Bob W1LTX and seconded by David WE1U. Vote: approved.

Ivan is in the running to become the new Emergency Coordinator for Androscoggin County according to Bill N1KAT. Final approval is pending.

Ivan talked about the Dempsey Challenge and the challenge to get ten operators to work the SAG vehicles and two operators at each of the nine rest stops. Ivan reports a total of three repeaters will be needed for the event, and encourages anyone interested to contact him at n1oxa@arrl.net.

Andy KB1DOI will be working a special event station during the Dempsey Challenge with the call sign N1D. Operators interested should contact Andy or Ivan.

David WE1U says he is sorry he forgot to include the Windsor Hamfest in the listing in the ACORN. The hamfest is Saturday September 12 from 8 AM to noon. He also reports that some messages have been missing from one of the web sites because of a server failure at ARRL headquarters.

Bill reminded us to be thinking about the next meeting in October and the scholarship money. He thinks a percentage of the clubs' fund should go to the ARRL to be used for a scholarship. The vote is planned for our next meeting October 7. Members are invited to bring your ideas for the fund.

Ivan talked about the SET, Simulated Emergency Test to be held the weekend of October 24 from 8 AM to 2 PM and will feature an earthquake scenario. For more information visit <http://www.maineares.org>.

David WE1U made a motion to adjourn that was seconded by Andy KB1DOI. Vote: approved at 7:44 PM.

DX News Earle N1SVB

We thought we had the problem with the beam solved but after a month or so of fine operation it has started to act up again. The past month we made 39 DX contacts representing 25 different countries. Countries worked in August were:

SV1, Greece; MI1, No. Ireland; CU2, Azores; LY1, Lithuania; 6W1, Senegal; HR2, Honduras; OA7, Belgium; FJ/, Bathelemu; J48, Greece; XE1, Mexico; F5, France; CP1, Bolivia; HP1, Panama; CT1, Portugal; VC1, Canada; YN2, Nicargua; KL7, Alaska. SV9, Crete; RX0, European Russia; SN5, Poland; Z36, Macedonia; IT8, Costa Rica; M1, England; Dk1, Germany

We had no exciting contacts this month. We also had no Pacific contacts.

There are several DXpeditions to various parts of the world coming up in October. Some haven't been assigned a call as yet or the operators will use the country prefix and their home call.

Oct. 01 to Oct. 08	FK/	New Caledonia
Oct. 01 to Oct. 10	3D20CR	Conway Reef
Oct. 01 to Oct. 28	3D2Mj	Fiji
Oct. 04 to Oct. 10	LX/	Luxembourg
Oct. 05 to Oct. 30	E51NOU	So Cook Is.
Oct. 08 to Nov. 17	ZK2DL	Niue
Oct. 09 to Oct. 19	K4M	Midway Island
Oct. 10 to Oct. 18	YJ0PX	Vanuatu
Oct. 10 to Oct. 27	TY1MS	Benin
Oct. 12 to Oct. 25	8Q7AK	Maldives
Oct. 14 to Oct. 29	EA6/	Balearic Is.
Oct. 16 to Oct. 22	TX5SPM	Marquises Is.
Oct. 19 to Oct. 28	V25Z	Antigua
Oct. 19 to Nov. 17	VK7ACG	Australia
Oct. 20 to Oct. 27	FP/	St. Pierre & Miquelon
Oct. 21 to Oct. 25	FH/	Mayotte Is.
Oct. 22 to Oct. 26	P29VCX	Papua New Guinea
Oct. 22 to Oct. 29	PZ5M	Surinam
Oct. 22 to Oct. 31	VK9N	Norfolk Is.
Oct. 27 to Oct. 31	P29VLR	Papua New Guinea
Oct. 30 to Nov. 05	YJ0/	Vanuatu
Oct. 31 to Nov. 15	XR0Y	Easter Is.

COWW DX Contest, SSB (Oct. 24 – 25, 2009)

The above DXpeditions are correct to the 10th of the month prior to printing The A.C.O.R.N. For additions after that date, go to my web page and click On the link "Reported DXpeditions by NG3K". I invite any club members that have a computer to visit my web page. The address is:

<http://www.qsl.net/n1svb/>