



A.C.O.R.N.

September 2009

ANDY Club Officers

President: Bill Woodhead N1KAT
 Vice President: Earle Gilmore N1SVB
 Treasurer: Ivan Lazure N1OXA
 Secretary: Dick Knight N1NYW
 Trustee: Norm L' Heureux W1SCM

Androscoggin Amateur Radio Club (AARC)

P.O. Box 1, Auburn ME 04212-0001

<http://www.w1npp.org/>

Repeater 146.610MHz – No pl tone
Goff Hill, Auburn Maine

Please submit articles, corrections and suggestions by the 20th of the month to David Lowe WE1U we1u@arrl.net

Table of Contents

Events in September.....1
 Events in October1
 Andy Club Meetings.....2
 Androscoggin ARES Ivan N1OXA.....2
 Androscoggin ARES Message Test -Ivan N1OXA, AEC.....3
 Circuits of the Month: Diode Logic-David WE1U4
 Secretary's Report by Dick N1NYW.....5
 DX News Earle N1SVB.....6

Events in September

- Weekend 12th and 13th -ARRL VHF Sweepstakes
- Saturday 19th -Loon Echo Bike Trek and Hike
- Weekend 18th and 20th -CERT Jamboree at Arcadia National Park
- Saturday 26th VE Exam at Auburn Library
- Saturday 26th Global Cooling Presentation Auburn Library

Events in October

- Sunday 4th Dempsey Challenge
- Saturday 24th Maine ARES Simulated Emergency Test

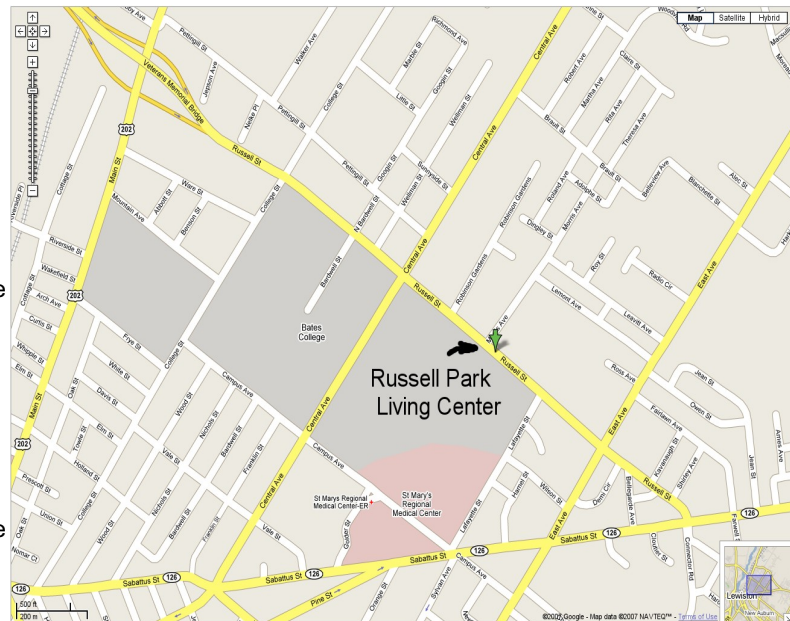
Andy Club Meetings

Wednesday September 2nd 6:30pm
 ARES and Andy Club Meeting
 Russel Park Living Center
 158 Russel Street, Lewiston, ME

Every Wednesday except the 1st 7pm
 Androscoggin ARES Net
 on the Auburn Repeater 146.610MHz no pl. tone

Wednesday September 30th 7:30 am
 Monthly Breakfast
 Ramada Inn, Pleasant Street
 Lewiston, ME

Wednesday September 30th 7:30
 ARES /Andy Club On-air Meeting and Net
 on the Auburn Repeater 146.610MHz no pl. tone



Androscoggin ARES Ivan N1OXA

The month of August was a busy one for the group. On August 6 we had a Hospital Radio test that evolved four counties (Androscoggin, Franklin, Kennebec, and Oxford) and eight hospital in those counties. As well as the Franklin EOC, Kennebec EOC, and Oxford EMA all were manned by ARES members. We had operators at CMMC (N1KAT), St Mary's Hospitals (WE1U) and the Russell Medical Center (K1WTX) in Leeds. A total of 13 ARES members between the four counties were involved.

Than on August 20 there was a Drill titled "Chlorine leak at Bates College ice rink near Russell Living Center and St. Mary's Hospital". Androscoggin ARES manned both CMMC (N1KAT & N1JD) and St.Mary Hospital (K1WTX & WE1U) as well as The Russell Living Center (N1LLU). All operators were at their stations by 7:30am and secured by 11:15am.

And one more drill was on Sunday August 23 from 8 - noon, We had two operators (N1OXA & WE1U) at the United Valley Red Cross office in Lewiston. Red Cross had a drill to set up a full scale shelter, both for people and pets.

We received messages from the Oxford ARES at the shelter. This drill was on from 8 - noon, and one thing we found was the Folded Dipole has a problem. We also need to do work on setting up the Comm. stations at the Red Cross.

As (AEC) Assistant Emergency Coordinate I want to thank all the operators who volunteer for these events and if you want to join the Androscoggin ARES fill out the application from the ARRL website:

<http://www.arrl.org/FandES/field/forms/fsd98.pdf>

or <http://www.arrl.org/FandES/field/forms/fsd98.doc>

Androscoggin ARES Message Test -Ivan N1OXA, AEC



**The American Radio Relay League
RADIOGRAM
Via Amateur Radio**

Number	Precedence	HX	Station of Origin	Check	Place of Origin	Time Filed	Date

To:

This Radio Message was received at:

Amateur Station _____ Date _____
 Name _____
 Street Address _____
 City, State, Zip _____

Telephone Number:

REC'D	From	Date	Time	SENT	To	Date	Time
-------	------	------	------	------	----	------	------

A licensed Amateur Radio Operator, whose address is shown above, handled this message free of charge. As such messages are handled solely for the pleasure of operating, a "Ham" Operator can accept no compensation. A return message may be filed with the "Ham" delivering this message to you. Further information on Amateur Radio may be obtained from ARRL Headquarters, 225, Main Street, Newington, CT 06111.

The American Radio Relay League, Inc. is the National Membership Society of licensed radio amateurs and the publisher of QST Magazine. One of its functions is promotion of public service communication among Amateur Operators. To that end, The League has organized the National Traffic System for daily nationwide message handling.

I want all members of the Androscoggin ARES to fill out this Radiogram and bring it to the meeting on Sept 2 at 6:30pm before the regular club meeting. Here is the info for the message: sent it to me (include my address), from yourself, use Routine Msg., leave HX blank, fill in CHECK, fill in Place of Origin, Time, and Date. Text is as follow:

TEST PLEASE BRING THIS MESSAGE TO OUR MEETING. TEST. BRING QUESTIONS AS WELL ON HOW TO SEND THIS TYPE OF MESSAGE. TEST

Signature

See you at the meeting. And don't forget the weekly Nets, check the list on W1NPP website:

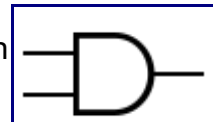
For Radiogram Forms and Instructions:
<http://www.w1npp.org/pages/aresraces.html#radiogram>

Circuits of the Month: Diode Logic—David WE1U

Headlights on **AND** Engine off **EQUALS** Dead Battery **OR** Obnoxious Buzzer. Simply diode circuits are used to warn of headlights left on and keys in ignition and, with help from transistors, your bank account is overdrawn.

Microprocessors and computer support chipsets are built up from three basic logic circuits: **AND**, **OR** and (sorry :D) **NOT**. These Digital logic devices have only two states, **HI** or **LO**. The **LO** state is also indicated as off, 0 or false. The **HI** state is also on, 1 or true.

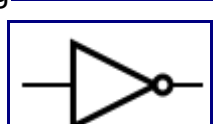
The **AND** logic function output Logic **HI** if and only if all inputs are Logic **HI** (eg Output is **HI** if Input1 is **HI AND** INPUT2 is **HI AND** ...). The **OR** logic function output is **HI** if any input is **HI** (eg Output is **HI** if Input1 is **HI OR** Input2 is **HI OR** ...). The **NOT** logic function is simply but powerful, Output is inverted from the single Input (eg Output is **HI** if the Input is **NOT HI**) The bubble on a input or output indicates that it is active **LO**.



AND Symbol



OR Symbol

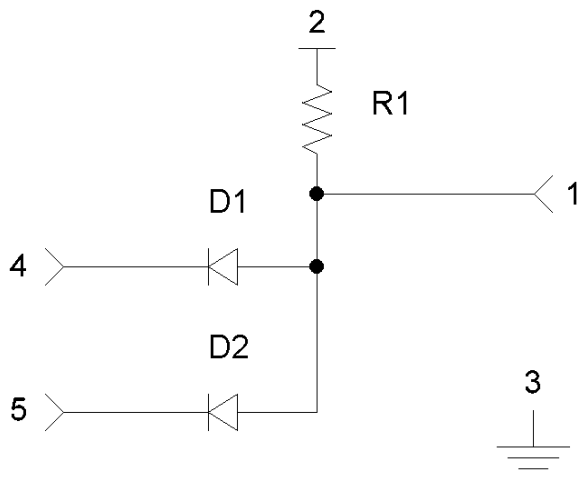


NOT Symbol

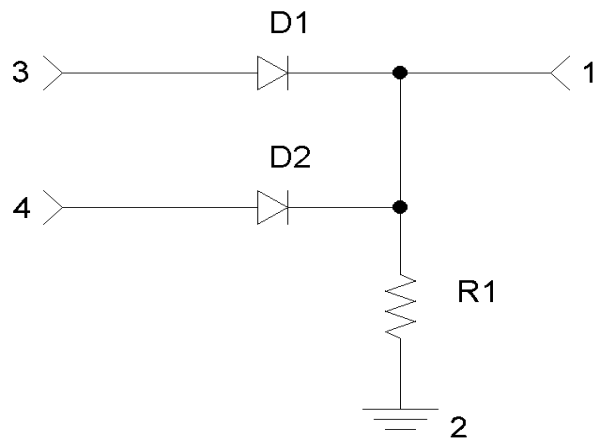
The **AND** gate diode logic circuit (below left) output (#1) is *pulled up* to VCC (#2) by R1, **HI**=Vcc (positive voltage) and **LO** = Ground (#3). If both inputs (#4 and #5) are **HI** then both of the diodes will be reversed biased and the output is at nearly Vcc, therefore **HI**. If either or both inputs is **LO**, by connected it to the Ground, then the diode on that input will be forward biased and the output will be **LO** (ignoring the voltage drop across the diode).

The **OR** gate diode logic circuit (below right) output (#1) is *pulled down* by to Ground (#2) by R1. **HI** = Vcc (positive voltage) and **LO** = Ground as before. Applying Vcc to either or both inputs (#3 and #4) forward biasing the inputs diode, the output will be **HI** (ignoring the voltage drop across the diode).

The NOT gate requires a common emitter (or source) transistor circuit, detail next month. Source URL: http://en.wikipedia.org/wiki/Diode_logic



Diode Logic 'AND' gate circuit



Diode Logic 'OR' gate circuit

Secretary's Report by Dick N1NYW

The Androscoggin Amateur Radio Club held its monthly meeting Wednesday August 5, 2009 at Russell Park in Lewiston. In attendance: N1LLU, KB1HBD, KB1DOI, WA1EOJ, N1KAT, W1SCM and son Charles, N1JD, WE1U, W1SAB, WB1HFY, N1SVB, KB1OGS, K1WTX, N1AVJ, AND N1NYW.

The meeting was called to order by President Bill Woodhead N1KAT at 7:00 PM. Earle N1SVB moved to approve the Secretary's report as printed in the ACORN. Andy KB1DOI seconded the motion. Vote: approved. Because Ivan was absent Andy KB1DOI made a motion to delay reading the Treasurer's report until the next meeting. Seconded by David WE1U. Vote: approved.

Bill reported the Androscoggin ARES group worked the Beach to Beacon race, discussion about the event and good runners followed with everyone involved in agreement that the ham radio operators involved did well.

Bill told of participating in the UHF contest and thinks he did well and will let us know when the results are posted.

The Androscoggin Hospital drill was scheduled for August 6th, persons volunteered for duty and discussion followed about where the radios are located in each facility etc. Also David WE1U mentioned the Hospice Drill is coming up on August 29th.

Bill reports that the special event call sign for the Dempsey Challenge will be N1D on October 4th.

Bill reminds us to be thinking about the scholarship fund and how much money to put in the fund and if it should be handed over to the ARRL to administer. A vote is planned at the October meeting.

David WE1U mentioned the events coming up on the list that is printed in the ACORN.

KB1OGS asked if there was interest in building antennas. Bill suggests building antennas at the September ARES meeting.

A motion to adjourn was made by Andy KB1DOI and seconded by David WE1U. Vote: adjourned at 7:18 PM to view pictures Bill took of the Beach to Beacon.

DX News Earle N1SVB

The past month we made 37 DX contacts representing 28 different countries. Countries worked in June were:

TI8, Costa Rica; 4M6, Venezuela; ON7, Belgium; CO6, Cuba; AM1, Spain; YO5, Romania; RZ6, European Russia; LY5, Lithuania; HZ1, Saudi Arabia; RU0, (Siberia) Russia; VE6, Alberta Canada; SV8, Greece; HB9, Switzerland; MW0, Wales; LA9, Norway; VK9, Norfolk Is.; GJ4, Jersey Is.; CU2, Azores; MI0, No. Ireland; HP1, Panama

We had a couple of nice contacts this month. The first was a contact with HZ1FS in Saudi Arabia. We also had a Pacific contact. We made contact with VK9IR on Norfolk Is.

There are several DXpeditions to various parts of the world coming up in September. Some haven't been assigned a call as yet or the operators will use the country prefix and their home call.

Sept. 04 to Sep. 14	FO/	Austral Is.
Sept. 06 to Sep. 07	3D2G	Fiji
Sept. 07 to Sep. 11	JW1SYL	Svalvard
Sept. 08 to Sep. 14	T2G	Tuvalu
Sept. 08 to Sep. 22	5B/	Cyprus
Sept. 10 to Sep. 22	CT8/	Azores.
Sept. 15 to Sep. 16	3D2G	Fiji
Sept. 16 to Oct. 03	TK/	Corsica
Sept. 17 to Sep. 23	T30G	W. Kiribati
Sept. 18 to Sep. 25	ZK2BJ	Nieu
Sept. 18 to Sep. 30	ZL7/	Chatham Is.
Sept. 22 to Oct. 21	TO7RJ	Mayotte
Sept. 23 to Sep. 30	3A/	Monaco
Sept. 24 to Sep. 27	3D2G	Fiji
Sept. 24 to Sep. 27	FP/	St. Pierre & Miquelon
Sept. 24 to Oct. 07	PJ2/	Netherlands Antilles
Sept. 26 to Oct. 01	PJ5/	St. Maarten, Saba St. Eust.
Sept. 27 to Oct. 15	J79ZG	Dominica
Sept. 28 to Oct. 12	TX5SPA	Austral Is.

COWW DX Contest, RTTY (Sept. 26 – 27, 2009)

The above DXpeditions are correct to the 10th of the month prior to printing The A.C.O.R.N. For additions after that date, go to my web page and click On the link "Reported DXpeditions by NG3K" .

I invite any club members that have a computer to visit my web page. The address is:
<http://www.qsl.net/n1svb/>