



ACORN

August 2010

ANDY Club Officers

President: Bill Woodhead N1KAT
 Vice President: Earle Gilmore N1SVB
 Treasurer: Ivan Lazure N1OXA
 Secretary: Dick Knight N1NYW
 Trustee: Norm L' Heureux W1SCM

Androscoggin Amateur Radio Club (AARC)
 P.O. Box 1, Auburn ME 04212-0001
<http://www.w1npp.org/>
Repeater 146.610MHz – No pl tone
Goff Hill, Auburn Maine

Please submit articles, corrections and suggestions by the 16th of the month to David WE1U we1u.david@gmail.com

Table of Contents

Coming up 1
 ARES/RACES Comments by Ivan N1OXA Androscoggin EC..... 2
 Andy Club Meetings..... 2
 Secretary's Report by Dick N1NYW..... 3
 Schematic Diagram-Quick Overview by David WE1U..... 4
 Ready Kit List by Ivan N1OXA..... 5
 DX News by Earle N1SVB..... 6

Coming up ...

August

Lighthouse Week August 1st to the 7th <http://illw.org/>
 National Night Out Tuesday August 3rd <http://www.nationalnightout.org/nno/index.html>
 Beach to Beacon 10k Saturday August 7th <http://www.beach2beacon.org/>
 Tour de Merrymeeting Bay Bike Trek Saturday August 14th
 St Albans Hamfest Saturday August 14th
 Great Falls Balloon Festival Friday August 20th to Sunday August 22nd
 Tour de Farms Bike Trek Sunday August 22nd
 Maine Hospice Event Saturday August 28th
 HI QSO Party August 28 0700Z to August 29 2200Z
<http://www.karc.net/OperatingEvents/HawaiiQSOParty/HIQSOPartyRules.html>

September

Ham Radio License Prep Course(Technician and General Class) Starts September 7th
 Tuesdays and Thursdays 6 to 8pm at Edward Little High School in Auburn
<http://www.w1npp.org/#prep>
 Loon Echo Bike Trek Saturday September 18th
http://www.loonecholandtrust.org/html/hike_n_bike_trek.html
 Maine CERT Jubilee Saturday September 18th and Sunday September 19th
http://www.maine.gov/mema/mema_calendar_display.shtml?id=98670

Andy Club Meetings

Wednesday August 4th 2010 7:00pm
 Andy Club Meeting
 Russel Park Living Center
 158 Russell Street, Lewiston, ME

Wednesday August 18th 2010 6:00pm
 Androscoggin ARES/RACES Meeting
 Androscoggin Unified EMA Office
 Basement of Central Fire Station
 2 College Street Lewiston

Wednesday August 25th 2010 7:30am
 Monthly Andy Breakfast
 Ramada Inn, Pleasant Street
 Lewiston, ME

Wednesday August 25th 2010 7:00 pm
 Andy Club On-air Meeting and Net
 on the Auburn Repeater
 146.610MHz no pl. tone

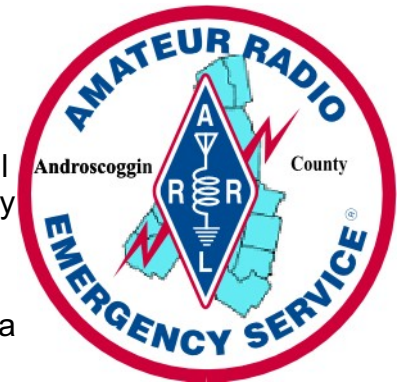
ARES/RACES Comments by Ivan N1OXA Androscoggin EC

The two big events that we are working on are the Beach2Beacon on Aug. 7, from 6am to noon, and the Dempsey Challenge on Oct 3, time to be determine later. We also have the annual SET on Oct 9, time to be determine later. So a lot to do and we need your input and help for these events. If you have not registered for the B2B yet, than send me an email and your T-Shirt size and I will take care of the registration. The Dempsey Challenge wait to register, I'm trying to have them add Ham Radio as a position. I will be sending a bulletin to K1JJS with the info to register.

At the monthly ARES/RACES meeting on July 21, we called about have a group from ARES/RACES start a CERT class in the fall. Right now we have four of us that have said yes, it would be nice for more to volunteer.

Right now we are looking at starting in the fall on Saturday mornings, more info to come. also, as part of this training, we are encouraging all our members to take two FEMA online courses, one is ICS 100 and the other is ICS 700. Both of these are listed on our web page:

<http://www.w1npp.org/pages/aresraces.html#fema>



Remember that every Monday night we have a ARES/RACES net on 146.61 repeater, we need more people to check in, also, mark your calender for Aug. 7, Oct 3, and Oct 9, these are all good activities to build on your radio skills both for voice and copying and sending messages.

Secretary's Report by Dick N1NYW

The Androscoggin Amateur Radio Club held a meeting Wednesday July 7, 2010 at Russell Park in Lewiston Maine. In attendance: N1LLU, N1OXA, W1SCM and son Charles, WA1EOJ, N1JD, N1NYW, KB1DOI, N1KAT, N1SVB, N1WFO, W1SAB, W1LWT, W1LTX, K1WTX, KB1RSD, KB1QHR AND KB1UHU.

The meeting was called to order by President Bill Woodhead N1KAT at 7PM. Harold N1LLU made a motion approve the Secretary's report as printed in the ACORN. Seconded by Bob W1LTX. Motion: approved.

Ivan N1OXA read the Treasures' report. Andy KB1DOI motioned to accept the report as read, and a second came from Earle N1SVB. Vote: approved.

Ivan read the wording of the new Maine ARRL Convention Scholarship and noted that priority will be given to hams from Maine who apply and New England second priority. If no qualified ham cannot be found the money will not be given out. Instead will be held over until the next year. If a person goes to a four year school that ham could get \$1000 and a two year school \$500.

Bill reports that Field Day went pretty well, Shawn worked phone and John did all the CW qsos on QRP.

Ivan pointed out that Tim at Androscoggin County EMA needs copies of paperwork from ARES/RACES/CERT members who had ICS100 and ICS700 training to help get money from the government. Please send copies to Tim and Ivan. Tim asked if ham radio would like to be included in the "Auburn Night Out" in November. Ivan said, of course, ham radio could use the exposure and publicity. Next ARES meeting is July 21 at 6PM at the EMA office.

Jerry K1WTX talked about his field day setup and how well it worked.

The vote weather to change the bylaws and dates the dues come due was postponed until the August meeting because the news letter went out late so not everyone got it in time to be sure know about and come to come to the vote. This was the way it was explained in the July newsletter:

"Ivan again made a motion that he would like to change the dues structure so that all dues would come due the first three months of the year. If your membership comes due from June to October of 2010 the rates will be pro-rated, \$5 for the rest of 2010. If your dues come due from October to December 2010 you would pay \$10 and your membership would expire on December 31, 2011.

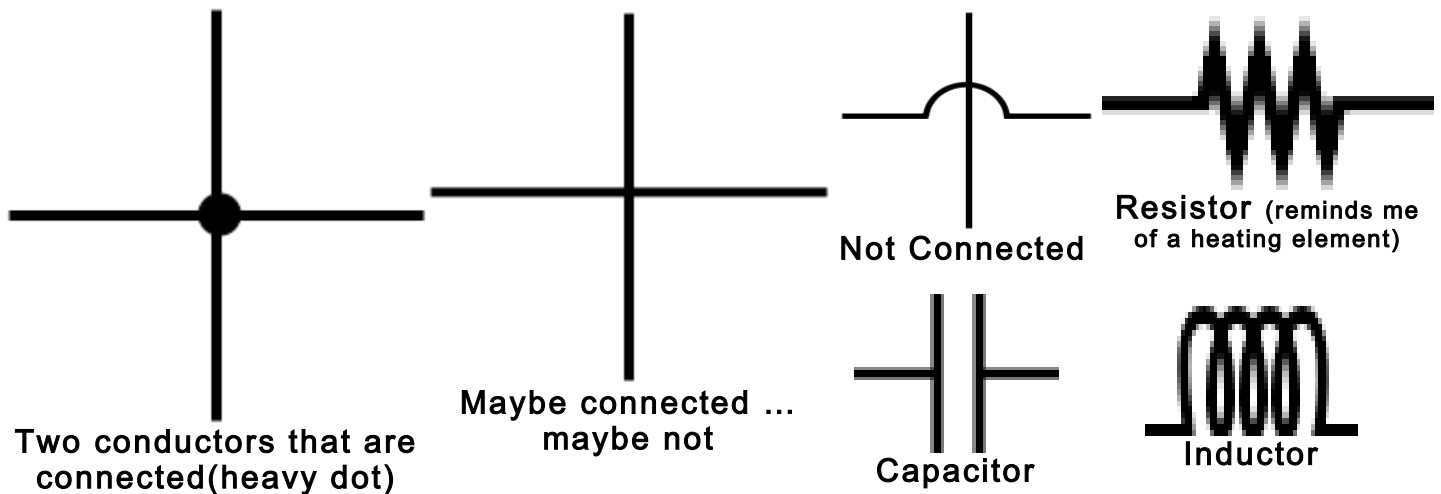
Again the vote on this motion has been postponed until the August meeting. Please attend and vote.

Dick N1NYW made a motion to adjourn, Andy KB1DOI seconded the motion. Vote: approved at 7:23 PM so that members could watch videos of prior Maine Forest rallies that Rick N1WFO brought in.

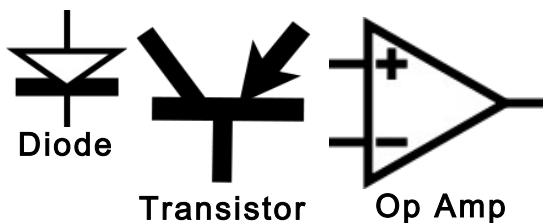
Schematic Diagram-Quick Overview by David WE1U

A well made schematic diagrams can aid in understanding circuit operation, help in modifying the design and troubleshooting problems. The diagrams not only show how the individual components are connected into circuit stages, grouping of circuit stages from the input(s) to the output(s) show the flow of the signal(s). The symbols for the components, like Chinese ideograms, can be traced back to the structure of a device or its function(s). Additionally notes, block diagrams and parts list round out the picture provided by the diagram. The literature from the manufacturers of the components are important too. The data sheets describe the design features, especially the limits to current and power handling and breakdown voltages etc.

The leads of components, wires, and circuit board traces are represented by a line between the other symbols. The connection of two or more lines can be emphasized by heavy dot. Intersection of two lines that are not connected may be emphasized by a single half-circle over loop, like a highway overpass. The resistor is a zig-zag line (longer wires have more resistance). Capacitors are represented by two parallel lines, the plates. A basic inductor symbol is loop usually several, it may show a core as a set of broken or solid lines.

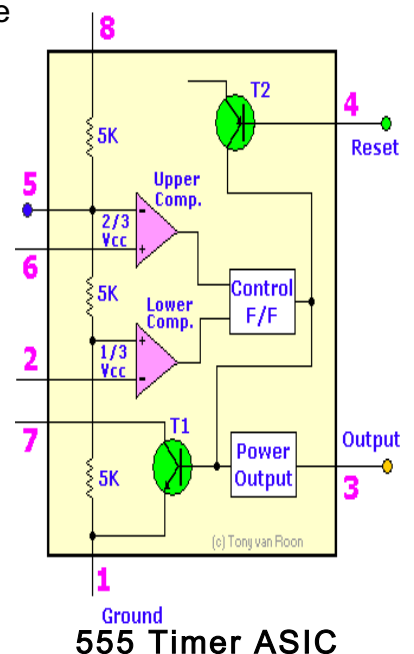


Diodes show an arrow pointing to a line. The first diodes were formed at the point where are fine wire (cat whisker) contacted a crystal semiconductor base, hence point-contact diode. The first transistor was formed by two cat whiskers on a semiconductor base. The more complex devices like Integrated Circuit, IC chips, especially Application Specific Integrated Circuit or ASIC packages may only show a rectangle or function symbol with pin numbers and/or the pins functions name.



Source URL for 555 timer:

<http://www.sentex.net/~mec1995/gadgets/555/555.html>



Ready Kit List by Ivan N1OXA

Have an Amateur Radio ready-kit to supplement your personal ready kit. Some items to include:

- *Portable radio, antenna and power supply or batteries (2 sets)
 - *Headset or earphones (you may be operating in a noisy area)
 - *Any cables you could possibly need
 - *Pencils and Paper
 - *Clipboard (firm writing surface, you may not have one otherwise)
 - *Radiogram forms (helpful but not absolutely required)
 - *Operating aids (pink card, Field Resources Manual, list of ARRL numbered radiograms, and anything appropriate for your local area)
 - *Small tools (multi-tip screwdriver, multitools, etc.)
 - *ARES Identification Card, if appropriate
 - *Important phone numbers and frequencies
 - *Map of the area
 - *Flashlight
 - *Poncho - very small to store, only around \$2 and can be useful when you least expect
- If carried in lieu of a personal ready kit, a few other items may be helpful:
- *For a short deployment, a bottle of water plus some crackers or something to eat requiring no preparation could make things much more bearable for you
 - *Medicine
 - *Toilet paper - small packets from MRE kits are very handy and don't take up much room
 - *Moist towelette

DX News by Earle N1SVB

During the past month we made 36 DX contacts representing 24 different countries. Countries contacted were:

CU2, Azores; PA9, Netherlands; CT1, Portugal; 5K3, Cyprus; 8R1, Lagan Is.; PJ7, St. Matrins; RU6, Asiatic Russia; LY2, Lithuania; PX8, Brazil; SV3, Greece; VP5, Caicus Is.; SP9, Poland; CE4, Chili; XE5, Mexico; 9A4, Croatia; P43, Aruba; CO6, Cuba; OL8, Czech. Republic; F3, France; LU3, Argentina; YO4, Romania; 4T4, Peru; ON4, Belgium; S58, Slovenia;

We had no Pacific contacts this month. We had no real exotic contacts either

There are several DXpeditions to various parts of the world coming up in August. Some haven't been assigned a call as yet or the operators will use the country prefix and their home call.

Aug. 01 to Aug. 07 KH2/ Guam

Aug. 08 to Aug. 14 KH0 Mariana Is.

Aug. 10 to Aug. 17 XU7ATM Cambodia

Aug. 12 to Sep. 10 XU2LC Vietnam

Aug. 13 to Aug. 16 OX1JA Greenland

Aug. 16 to Aug. 19 A25/ Botswana.

Aug. 21 to Aug. 22 OJ0/ Market Reef

Aug. 27 to Sep. 02 YJ0/ Vanuatu

The above DXpeditions are correct to the 10th of the month prior to printing The A.C.O.R.N. For additions after that date, go to my web page and click On the link Reported DXpeditions by NG3K.

I invite any club members that have a computer to visit my web page. The address is:

<http://www.qsl.net/n1svb/>