



ACORN

April 2010

ANDY Club Officers

President: Bill Woodhead N1KAT
 Vice President: Earle Gilmore N1SVB
 Treasurer: Ivan Lazure N1OXA
 Secretary: Dick Knight N1NYW
 Trustee: Norm L' Heureux W1SCM

Androscoggin Amateur Radio Club (AARC)

P.O. Box 1, Auburn ME 04212-0001

<http://www.w1npp.org/>

**Repeater 146.610MHz – No pl tone
 Goff Hill, Auburn Maine**

Please submit articles, corrections and suggestions by the 16th of the month to David WE1U we1u.david@gmail.com

Table of Contents

Coming up	1
ARES/RACES Comments by David WE1U.....	2
Andy Club Meetings.....	2
Secretary's Report by Dick N1NYW.....	3
Contacts by Bob W1LTX.....	4
Circuits of the Month-Charge Pump LED Flasher by David WE1U.....	5
DX News by Earle N1SVB.....	6

Coming up ...

Andy Club Meeting with **Annual Elections** Wednesday 7 April 2010 1900EDT

2010 Portland Hamfest Saturday 17 April

Stewart Morrill American Legion Post #35

413 Broadway, South Portland, ME <http://www.pawa-maine.org/>

2010 Boston Marathon April 19th <http://www.mmra.org/marc/>

2010 MS-Walk April 24th Lewiston High School

http://walkmem.nationalmssociety.org/site/PageServer?pagename=WLK_MEM_homepage

NEAR-Fest VII Friday April 30th and May 1st 2010

Deerfield Fairgrounds - Deerfield NH

<http://near-fest.com/>

Andy Club Meetings

Wednesday 7 April 2010 1900EDT

Andy Club Meeting

Annual Elections

Russel Park Living Center

158 Russell Street, Lewiston, ME

Wednesday 28 April 2010 0730EDT

Monthly Andy Breakfast

Ramada Inn, Pleasant Street

Lewiston, ME

Wednesday 21 April 2010 1800EDT

Androscoggin ARES/RACES Meeting

Androscoggin Unified EMA Office

Basement of Central Fire Station

2 College Street Lewiston

Wednesday 28 April 2010 1900EDT

Andy Club On-air Meeting and Net

on the Auburn Repeater

146.610MHz no pl. tone

ARES/RACES Comments by David WE1U

The ARES/RASCE Meeting at the Androscoggin Unified Emergency Management Operation Center at the Lewiston Central Fire Station was attended by AA1UT, N1WFO and WE1U. Please remember that we are back at the EOC on the second to last Wednesday of the month.

Public Service Event "Season" is opening soon. MS-Walk on Saturday 24 April at the Lewiston High School and Boston Marathon on Patriots Day 19 April to "start" Please check the Events Page on W1NPP.org(PLEASE, let me know of events to include by email we1u.david@gmail.com) :

<http://www.w1npp.org/pages/events.html>

Kendall C. (KC) Putnam, Assistant Plans and Training Officer for Androscoggin, has been running two Community Emergency Response Team Courses. Franklin County CERT training was held on Sundays and the Auburn sessions on the following Monday. KC has also trained the members of the Androscoggin Community Animal Response Team:

http://www.maine.gov/mema/mema_news_display.shtml?id=86987

Pictures from Androscoggin CERT Training in Turner on Saturday 20 March:

<http://www.facebook.com/album.php?aid=167870&id=73788801656>

As a student of the Androscoggin CERT class I would like to thank the Turner and Lisbon Fire Departments for hosting the Hand-On training.

Weather Spotter Training from the National Weather Service and Electrical Safety Awareness, perhaps from Central Maine Power was mentioned. Maine ARES and FEMA has many on-line courses to help members to qualify for State-wide credentialing:

<http://www.maineares.org/ccbeccc.html>

<http://training.fema.gov/IS/crslist.asp>

Secretary's Report by Dick N1NYW

The Androscoggin Amateur Radio Club held a meeting Wednesday March 3, 2010 at Russell Park in Lewiston. In attendance: N1LLU, N1NYW, N1WFO, WE1U, KB1DOI, N1OXA, N1KAT, N1JD, W1SCM and son Charles, K1GHP, K1WTX, W1SAB, WB1HFY, W1LTX, N1URA and WB1OGS.

President Bill Woodhead N1KAT called the meeting to order a 7:00 PM. Harold N1LLU motioned to approve the Secretary's report as printed in the ACORN. Seconded by Andy KB1DOI. Vote: approved.

Ivan N1OXA gave the Treasurers report and Andy KB1DOI moved to accept the report, Harold N1LLU seconded the motion. Vote: approved.

Hamfest coordinator Cory N1URA talked about the upcoming hamfest and mentioned the admission price at the door will increase to \$7 for adults. No advance ticket sales Friday night. Talks scheduled for Friday include tower safety with Dave KQ1L, digital communications with Lee W1LWT . There will also be a talk on coaxial wave traps - 6 meter talk and an ARES meeting.

Testing with registration at 12 noon and tests at 12:15. A special event station in the board room, and K1MNV will bring his service monitor to test equipment. There will be a code copying contest and on site talk frequency is 146.52.

Bob W1LTX reports that Icom sent some hats and shirts, HRO sent two boxes of catalogs, MFJ sent items but his is still waiting on Yeasu.

Ivan reports the next ARES meeting will be March 24 at 6 PM.

David WE1U volunteered to be the Field Day coordinator, Ivan will work on the paper work to get the Park Avenue School again for Field Day.

Bill Woodhead had to leave early so Ivan finished the meeting by accepting a motion from David WE1U to adjourn with a second from Andy KB1DOI. Vote: adjourned at 7:44 PM.

Contacts by Bob W1LTX

E7DX Bosnia

DL1A Germany

S53EO Slovenia

4L8A Georgia the country

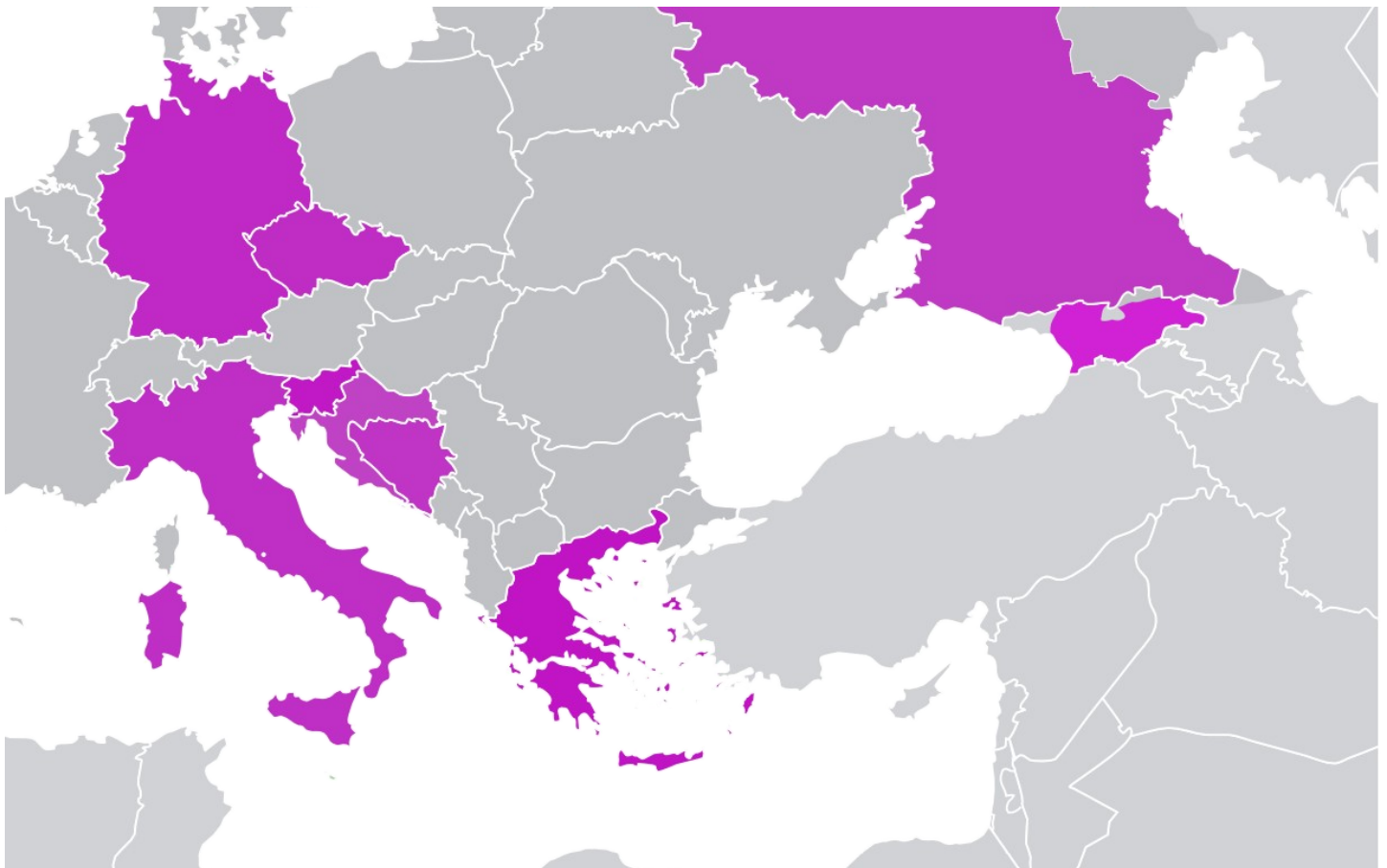
9A7A Croatia

RV4HC Russia

IQ4AX Italy

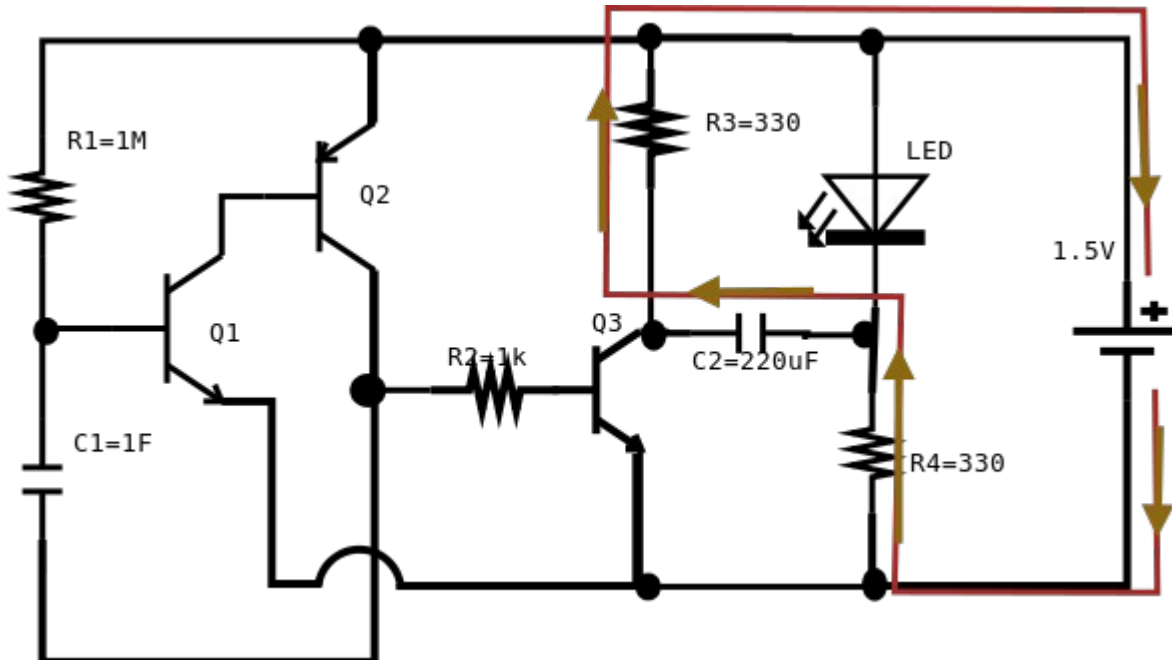
SX1L Greece

OK4PA Czech Republic

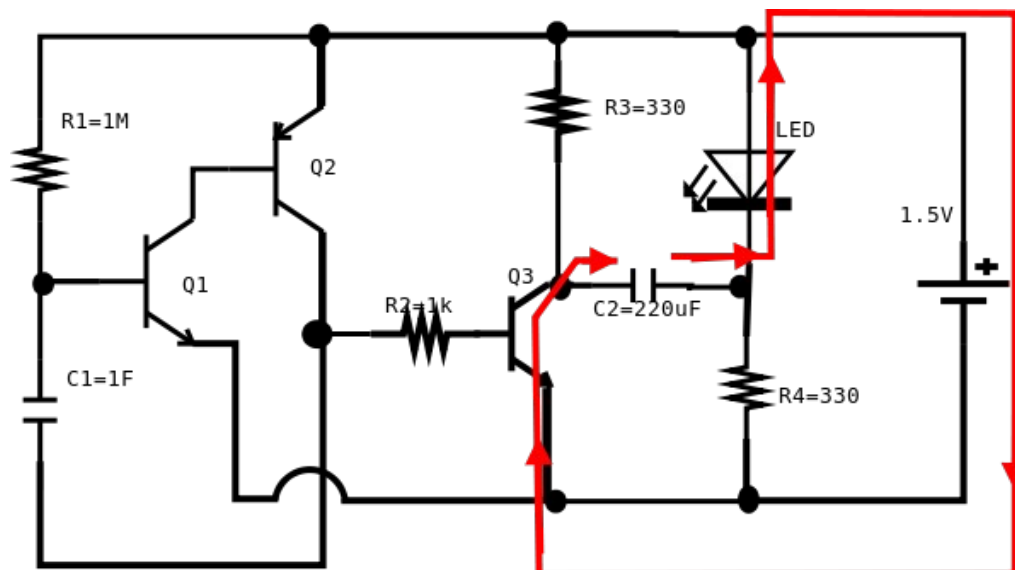


Circuits of the Month-Charge Pump LED Flasher by David WE1U

I found this circuit on FreeCircuitDiagrams.com. Usually 1.5V is needed to forward bias a LED and about 10 to 20mA to light. The circuit uses a blocking oscillator to control the charging of C2. The charge in C2 provides the additional voltage, R3 and R4 limit the current to flash the



The oscillator (Q1, Q2, C1 and R1) keeps Q3 off while charging C1. C2 charges through R3 and R4.



When C1 is charged enough, Q1, Q2 and Q3 turn on briefly discharging C2 through the LED in series with the battery.

Source URL:

<http://freecircuitdiagram.com/2009/05/30/15v-led-flasher-using-3-transistors/>

DX News by Earle N1SVB

During the past month we made 24 DX contacts representing 20 different countries. Countries contacted were:

CX2, Uruguay; KH6, Hawaii; ZS2, So. Africa; VX6, Canada; YV1, Venezuela; J5, Guinea Bissau; MI0, No. Ireland; OR0, Belgium; MM0, Orkney Is.; HR2, Honduras; S58, Slovenia; 6w2, Senegal; XR9, Antarctica; VK7, Australia; EA1, Spain; TL0, Central African Rep.; II0, Italy; 5Z0, Kenya; F5, France; TF3, Iceland;

We did have a couple of Pacific contacts this month. We made contact with KH6IB in Hawaii and also VK7XX in Australia.

There are several DXpeditions to various parts of the world coming up in April. Some haven't been assigned a call as yet or the operators will use the country prefix and their home call.

Apr. 01 to Apr. 30	3C0/	Annoban Is.
Apr. 03 to Apr. 11	YI9PSE	Iraq
Apr. 05 to Apr. 13	LX9FC	Luxembourg.
Apr. 06 to Apr. 09	MJ/	Jersey
Apr. 06 to Apr. 12	FW/	Wallis Futuna Is...
Apr. 08 to Apr. 17	TF/	Iceland.
Apr. 10 to Apr. 18	3W6C	Vietnam
Apr. 11 to Apr. 17	V63DX	Micronesia.
Apr. 13 to Apr. 21	T2/	Tuvalu
Apr. 14 to Apr. 19	BW/	Taiwan
Apr. 15 to Apr. 24	ZA/	Albania
Apr. 18 to May. 02	TO2R	Reunion Is.
Apr. 23 to Apr. 26	3D2/	Fiji
Apr. 25 to May. 06	FM/	Martinique
Apr. 27 to May. 04	TS8P	Tunisia.
Apr. 30 to Apr. 29	ZS8P	Marion Is.

The above DXpeditions are correct to the 10th of the month prior to printing The A.C.O.R.N. For additions after that date, go to my web page and click On the link Reported DXpeditions by NG3K

I invite any club members that have a computer to visit my web page. The address is:

<http://www.qsl.net/n1svb/>