



ACORN

April 2009

ANDY Club Officers

President: Bill Woodhead N1KAT
 Vice President: Earle Gilmore N1SVB
 Treasurer: Ivan Lazure N1OXA
 Secretary: Dick Knight N1NYW
 Trustee: Norm L' Heureux W1SCM

Androscoggin Amateur Radio Club (AARC)
 P.O. Box 1, Auburn ME 04212-0001
<http://www.w1npp.org/>
Repeater 146.610MHz – No pl tone
Goff Hill, Auburn Maine

Please submit articles and suggestions, in text (not formatted), by the 16th of the month to David WE1U

Table of Contents

Coming up	1
Andy Club Meetings.....	2
HF Packet – Cory N1URA.....	2
Knotty Thoughts – David WE1U.....	3
Secretary's Report - Dick N1NYW.....	4
Circuit of the Month – David WE1U.....	5
Nets Listing - David WE1U.....	6
My first Ham Class... as an Instructor David WE1U.....	7
“Stanley Morgan Golob” by Rebbecca KB1IRZ and Cory N1URA	7
DX News - Earle N1SVB.....	8

Coming up ...

Annual Meeting of the Androscoggin ARC Wednesday April 1, 2009

Deadline for Androscoggin ARC Scholarships is April 15, 2009

Form: http://www.w1npp.org/scholarships/AARC_Scholarship_Application.pdf

Global SET April 18, 2009 1100z to 1500z

<http://www.arrl.org/news/files/2009GlobalSET.pdf>

Portland Amateur Wireless Association (PAWA) Hamfest Saturday, April 18, 2009 8 AM to Noon Stewart Morrill American Legion Post #35 413 Broadway South Portland, ME

<http://www.pawa-maine.org/modules/wfchannel/index.php?pagenum=8>

2009 MS-Walk

Saturday April 25, 2009 Lewiston High School, East Ave, Lewiston, ME

http://walkmem.nationalmssociety.org/site/PageServer?pagename=WLK_MEM_Volunteer



Andy Club Meetings

Androscoggin ARES Meeting followed by the Annual Meeting of the Androscoggin ARC

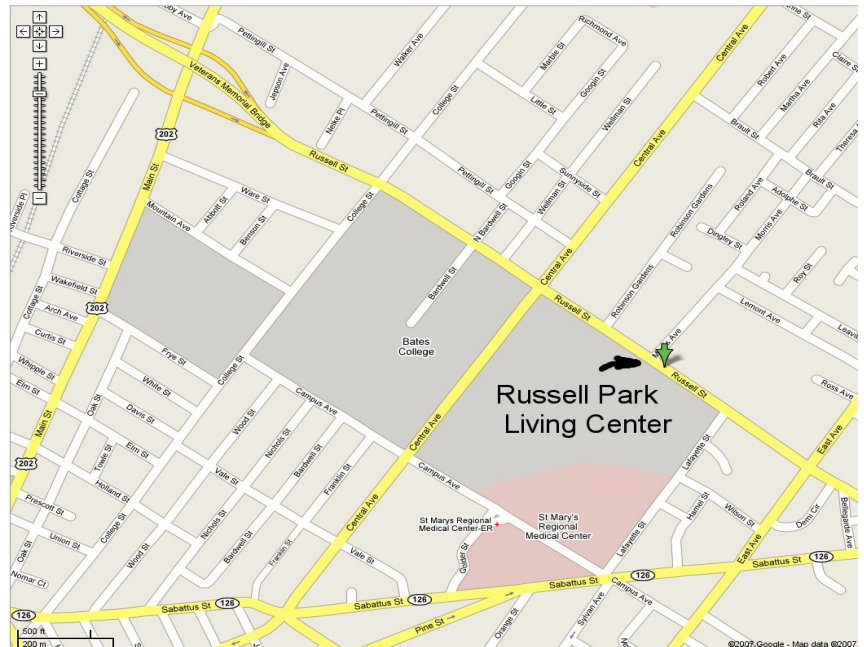
Wednesday April 1st 2009 1830L
Russell Park Living Center
158 Russell Street, Lewiston, ME

Androscoggin ARES Net
Every Wednesday 1900L
except the first of the month
on the Auburn Repeater
146.610MHz no pl. tone

Monthly Andy Club Breakfast
Wednesday March 25th 2009 7:30am
Ramada Inn, Pleasant Street
Lewiston, ME

HF Packet – Cory N1URA

I am experimenting with a QRP HF packet station on 80 meters and would like to have as many people try to connect as possible so that I can see how the station would operate as a backup mailbox in Maine, New England and perhaps further, under low power operation using an NVIS antenna. After having congestion with RTTY, CW, Olivia and other digital modes on 3587, the packet station will remain on 3595.50 kHz until further notice. I am interested in knowing the location that you are trying to access the HF packet station (town and state and/or grid number), signal report, type of antenna and polarization, and what time of day you tried to access the station. I encourage people to try the station both during the day and night since 80 meters can react differently by time of day. The mailbox is N1URA-1 and is set at 300 baud packet. Please leave a message or email observations to N1URA@ARRL.NET and pass the word to anybody you know who may be able to operate HF packet (either through a soundcard with MixW type software or using a TNC).



Knotty Thoughts – David WE1U

The rabbit comes out of the hole, around the tree....

The basic bowline knot is useful in boating, camping and rescue. The bowline is used mainly to make a temporary loop at the end of a line. It can be secured further by using a stopper knot on the free end and/ or tied using a figure-8 as shown on the small pictures from the Animated Knot site.



Animated Knots web site has a extensive list of knots. The animated graphics demonstrate the correct tying procedures and important tips to improve them like various stopper knots(on the right) and the one-handed bowline knot, useful if injured, is demonstrated at Animated Knots:

Source URLs: <http://en.wikipedia.org/wiki/Bowline>

<http://www.animatedknots.com/bowlineonehand/index.php?LogoImage=LogoGrog.jpg&Website=www.animatedknots.com>

<http://www.animatedknots.com/bowlinerescue/index.php?LogoImage=LogoGrog.jpg&Website=www.animatedknots.com>

Secretary's Report - Dick N1NYW

The Androscoggin Amateur Radio Club held a meeting March 4, 2009 at Russell Park. In attendance: n1llu, we1u, n1loxa, n1jd, kb1rsd, n1nyw, kb1rbn, kb1doi, w1scm and son Charles, n1dot, wa1eoj, n1lura, n1wfo, n1svb, wb1hfy, kd1ow, n1avj.

The ARES meeting started at 6:33 PM with Ivan starting because Cory was running late. Ivan encouraged the group to volunteer for public service events like the MS Walk that will be held April 25 The MS Walk starting at Lewiston High School. Also the Boston Marathon on Patriots Day April 21 St. The Beach to Beacon in Cumberland County in August and a new event the Patrick Dempsey Challenge in October. Cory arrived and talked to the group about being prepared for communications in winter storms wind and ice. Have backups, batteries antennas, mobile mounts and antennas, mag mounts and rubber duckies for the hand helds. Double AA 15 minute fast charge rechargeable batteries are great for ht battery packs. Also keep solar panels or generators handy with fuel and power inverters to convert 12 volts to 120 volt AC if needed. In an emergency or for every day rag chew Cory and Ivan encourage using the many different frequency bands and modes, to use them or lose them. The next meeting will discuss fox hunts and how to get ready for the fox hunt at Thorncrag.

The ARES meeting adjourned at 7:01 so Vice President Earle Gilmore n1svb called the club meeting to order because the President Bill Woodhead was home with a cold. We started with introductions of those present. David we1u moved to accept the Secretary's report as printed in the ACORN. Andy kb1doi seconded the motion. Vote approved. Ivan n1loxa gave the Treasurers report and Dick n1nyw moved to accepted the report as read, and Andy kb1doi and David we1u seconded the motion at the same exact time. Vote approved.

Old business: State convention planning continued with Ivan passing around a sign up sheet for members to volunteer to help man the doors and set up tables etc. Those members who help get in free and get a ticket to win the prizes.

Talks scheduled so far, but subject to change: aa4ak will talk about RF exposure, Lefty k1tol will talk about, what else, 6 meters. The WARN club will talk about DSTAR, and the inventor of APRS will talk via SKYPE with a power point presentation about APRS. QRP with w1rex and his tuna can radio, Lee w1lwt and digital modes, Bryce will have a meeting about ARES with the ECs and DECs. The ARRL forums and maybe the WRON women's radio club will have a talk or meeting to be announced. Also there maybe a CW copying contest with a cash prize and an equipment testing table and QSL card checks and there is an outside chance the crew from Brunswick could be talked into a having a demonstration of 10 Ghz. SKYWARN® would like a table. Cory would also like to see the club get behind the Spectrum Defense Fund at the convention. The grand prize this year will be good old fashioned cash.

Talk in as usual will be on the 146.61 repeater. New this year Cory would like to try using the counties ARES simplex frequency 146.46 in the building to communicate between upstairs and down and help communicate where the PA system doesn't reach. K1tvf has donated some used equipment that can be sold at the club table.

New business, we are looking for applicants for the two \$500 dollar scholarships from the Andy club and also there are other scholarships from the ARRL that usually have no one apply.

David we1u reminded us that there will be weather spotter training at Poland High School.

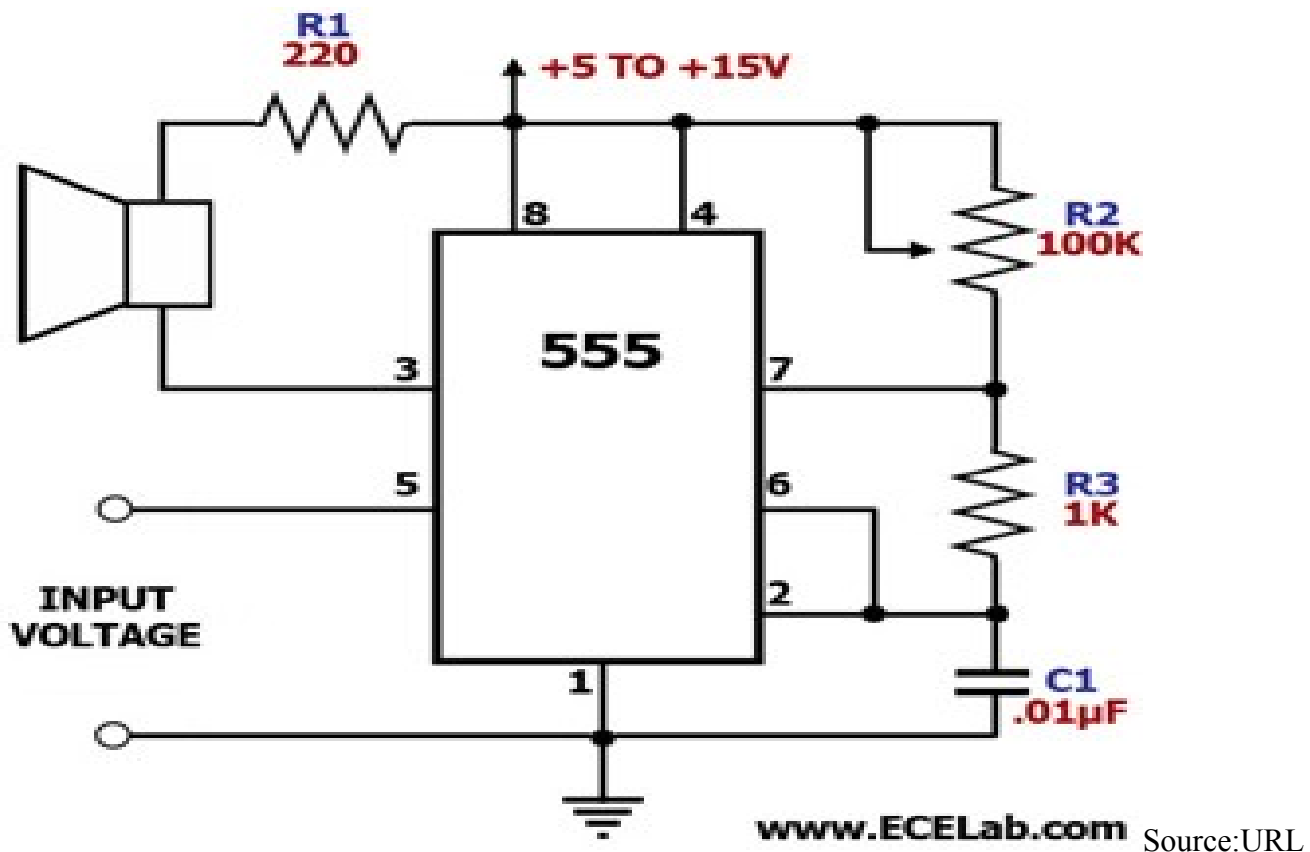
Earle reports the distracted driver legislation and hand held cellphone bills did not get past the committees at the legislature. [INCORRECT LD8 Aggressive Driver was defeated, Sun Journal's headline was WRONG-WE1U]

Cory reports there was talk about changing the time of the 10 meter net but no decision will be made yet. David we1u made a motion to adjourn that was seconded by Andy kb1doi and Harold n1llu. Vote approved at 7:43 PM.



Circuit of the Month – David WE1U

Voltage to Frequency circuits can be used to record measurements or send it as telemetry on radio. The audio output in place of a meter can be used to assist tpeople with visual-impairment use SWR and other meters. Field strength meter outputs one from a omni-directional antenna and one directional can be used to Foxhunt, to ensure the signal variation are from a change in bearing NOT from signal fad.



<http://www.uoguelph.ca/~antoon/gadgets/555/555.html>

<http://www.ecelab.com/circuit-vco-555.htm>



Nets Listing - David WE1U

This listing will moved to the WINPP.org site, updates will be announce in the ACORN.

HF Nets 75m	
Maine Public Service Net 9:00am Sunday 3940 khz. Maine Emergency Net 4:30pm Sunday 3940 kHz Maine Potato Net 1945EDT Monday-Saturday 3958 kHz New England Weather Net 5:30am Daily 3905 kHz http://newn.org/ New Hampshire ARES Net 8:30am Saturdays 3943 MHz http://ares.arrlnh.org/	Green Mountain Net 5:00pm Monday – Saturday 3933 kHz LSB http://www.hamelectronics.com/gmn/ Vermont Net 7:30pm daily 3857 kHz http://www.vermontnet.net/ Cumberland County Emergency Net Sunday 7:30pm 147.090+ 100Hz pl Franklin County Emergency Net Wednesday 7:00pm 147.180+ no-pl Mid-Coast ARES Net Monday 7:30pm 147.210+ 100 Hz pl
Androscoggin Ragchew 7:30pm Tuesday and Thursdays 50.2MHz USB	28.46 MHz USB Net 7:30pm Fridays

Nets on the KQ1L Linked Repeater System http://www.kq1l.com/	
12 County Net	Sunday 0930EST
Swap Net	Sunday 1900EST
28/88 VHF TRAFFIC NET (formerly Tri-County ARES Net)	Sunday 2000 EST
Oxford County ARES Net	Monday 1930 EST
Maine Elmer Net	Tuesday 1900 EST
WAWA Net	Wednesday 1930 EST
SKYWARN Training Net	Wednesday 2030 EST
YL and OM Net	Thursday 2000 EST
Slow Scan TV Net	Friday 1900 EST
Digital Discovery Net	Friday 20:30 EST
SKYWARN Training Net http://www.wx1gyx.org/	Saturday 1930 EST



My first Ham Class... as an Instructor David WE1U

My first Ham Class as an instructor was a pleasant one. I had two students to brake me in. I chose the General Class, to support the thirty new Technicians the George KB1AQE and John KB1NYC had up at Stephens Memorial Hospital in Norway. I hope to continue with a Extra Class soon.

I used the Auburn Adult Education facilities for the General License Prep Course. I was able to walk to class with the aid of my Stabilicers ice creepers and lifts from my students.

Class format, doing a lecture was something that comes naturally. I did find some subjects the I needed to brush up on. I should have set up quizzes as I went along, they give student and teacher needed feedback on the effectiveness of the training

I need to find out who is interested in a Extra Class License Prep Course and what format to have it. The General Class Course outlined by the ARRL was for eight two-hour sessions covering two lessons each. I set up for sixteen three-hour sessions. I missed 6 session due to storms, school vacation, and illness.

We made up one session Saturday 21 March 2009 with a antenna evaluation. We used a MFJ-269 Antenna Analyzer and a couple Field Strength Meters (FSM) on a 2m dipole, 2m Quad Beam, 2m/440 Vertical and a 2m Yagi. All the student antennas passed... MY Antenna and FSM FAILED!!!

I like to setup a ongoing workshop once a week to work with individuals or a group to tutor them without the overhead of a full course. I am open to a course or two at Auburn Adult Education next time sessions start, probably in the fall.



“Stanley Morgan Golob” by Rebecca KB1IRZ and Cory N1URA

We welcome a new member to the Andy Club... Stanley Morgan.



DX News - Earle N1SVB

The past month we made 40 DX contacts representing 27 different countries. The antenna is still pointed south and will most likely stay that way until spring when we can investigate the rotor and cable further to determine what the problem is. Countries worked in February were:

PY2, Brazil; C56, The Gambia; S51, Slovenia; V51, Namibia; J79, Dominica; PJ4, Bonaire Isl.; A41, Oman; CV2, Azores; CT3, Madeira; OG2, Finland; XE1, Mexico; FS1, St. Martins Isl.; C6, Bahamas; PJ2, Curacao Isl.; LU5, Argentina; K5, Desecheo Isl.; TI8, Costa Rica; DJ3, Germany; 4Z4, Israel; IU2, Italy; SV9, Crete; 5D0, Morocco; FM5, Martineque; 6V7, Senegal; ZS2, So. Africa; ZP6, Paraguay; EC8, Canary Islands.

There were no real exotic countries worked this past month but we did work K5D on Desecheo Isl. Not a difficult task however it was #6 on the most wanted list prior to the DXpedition. A new one for me and I promptly submitted my QSL card.

There are several DXpeditions to various parts of the world coming up in April. Some haven't been assigned a call as yet or the operators will use the country prefix and their home call.

Apr. 01 to Apr. 08	3B9/	Rodrigue Is
Apr. 01 to Apr. 11	PJ2/	Netherlands Antilles
Apr. 09 to Apr. 11	VK9XEI	Christmas Is.
Apr. 09 to Apr. 13	C91FC	Mozambique
Apr. 09 to Apr. 17	3B8/	Mauritius
Apr. 09 to Apr. 21	XU7MDY	Cambodia
Apr. 10 to Apr. 20	KG4CN	Guantanamo
Apr. 12 to Apr. 17	SO4R	Western Sahara
Apr. 17 to Apr. 20	TI7/	Costa Rica
Apr. 19 to Apr. 25	5C2A	Morocco
Apr. 19 to Apr. 25	JW/	Svalbard
Apr. 21 to May 06	ZF2ZB	Cayman Is
Apr. 22 to Apr. 22	5W8A	Samoa
Apr. 22 to Apr. 24	KH8/	American Samoa
Apr. 25 to Apr. 25	3D2/	Fiji
Apr. 27 to Apr. 29	T30/	West Kiribati
Apr. 29 to May 05	JD1BLK	Ogasawara

The above DXpeditions are correct to the 10th of the month prior to printing the A.C.O.R.N. For additions after that date, go to my web page and click On the link "Reported DXpeditions by NG3K". I invite any club members that have a computer to visit my web page. The address is:

<http://www.qsl.net/n1svb/>

