



ACORN

March 2009

ANDY Club Officers

President: Bill Woodhead N1KAT
 Vice President: Earle Gilmore N1SVB
 Treasurer: Ivan Lazure N1OXA
 Secretary: Dick Knight N1NYW
 Trustee: Norm L' Heureux W1SCM

Androscoggin Amateur Radio Club (AARC)

P.O. Box 1, Auburn ME 04212-0001

<http://www.w1npp.org/>

**Repeater 146.610MHz – No pl tone
 Goff Hill, Auburn Maine**

Please submit articles and suggestions by the 16th of the month to David WE1U

Table of Contents

Coming up	1
Maine State Convention and Andyfest.....	1
Portland Amateur Wireless Association (PAWA) Hamfest.....	1
Andy Club Meetings.....	2
Knotty Thoughts – David WE1U.....	2
Secretary's Report - Dick N1NYW.....	3
Circuit of the Month – David WE1U.....	4
Nets Listing - David WE1U.....	5
DX News - Earle N1SVB.....	6

Coming up ...

Maine State Convention and Andyfest

Friday/Saturday March 27th and 28th 2009

Ramada Convention Center, 490 Pleasant Street, Lewiston, Maine

<http://www.w1npp.org/pages/meconvention2009.html>

Portland Amateur Wireless Association (PAWA) Hamfest

Saturday, April 18, 2009 8 AM to Noon

Stewart Morrill American Legion Post #35 413 Broadway South Portland, ME

<http://www.pawa-maine.org/modules/wfchannel/index.php?pagenum=8>



Andy Club Meetings

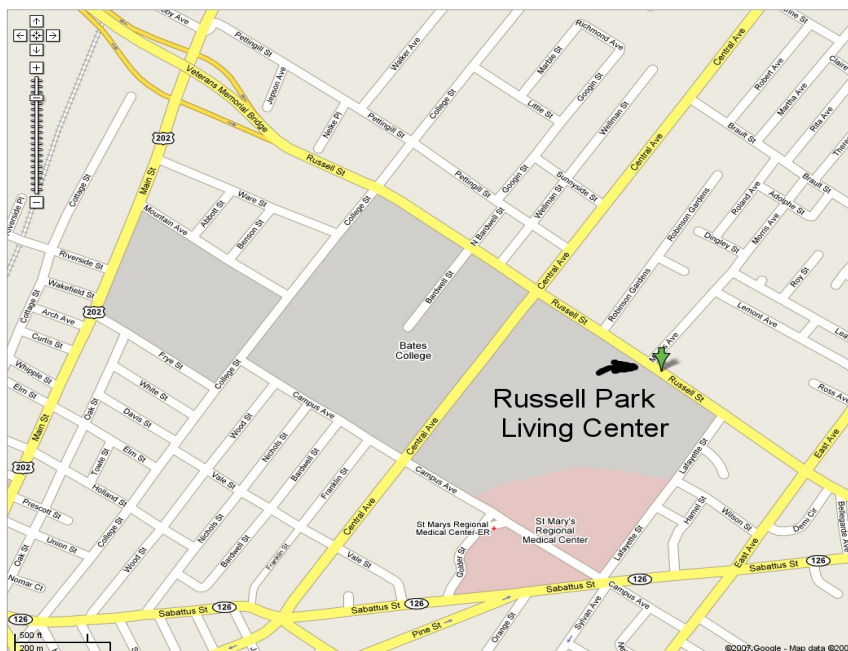
Wednesday March 4th 2009 7:00pm

Andy Club Meeting
Russell Park Living Center
158 Russell Street, Lewiston, ME

Every Wednesday 1900L
except the first of the month

Androscoggin ARES Net
on the Auburn Repeater
146.610MHz no pl. tone

Androscoggin ARES Meeting
Wednesday March 4th 2009
1830L (before Andy Club Meeting)
Russell Park Living Center
158 Russell Street, Lewiston, ME



Wednesday March 25th 2009 7:30am Monthly
Andy Club Breakfast
Ramada Inn, Pleasant Street
Lewiston, ME

Knotty Thoughts – David WE1U

The Flemish Bend, aka a Figure Eight Bend or double figure eight bend, is a knot for joining two ropes of roughly **similar size**. A loose figure eight knot is tied in the end of one rope. The second rope is now threaded backwards parallel to the first rope. Be sure to dress the knot neatly - the two strands should not cross each other. Although fairly secure, it is susceptible to jamming, however, is that even after considerable strain it remains relatively easy to undo. The knot can be made more secure by tying Double Overhand Stopper Knots on the standing ends.

Sources:

<http://www.animatedknots.com/fig8joinrescue/index.php?LogoImage=LogoGrog.jpg&Website=www.animatedknots.com>
http://en.wikipedia.org/wiki/Flemish_bend



Flemish Bend with Double Overhand Stopper Knots



Secretary's Report - Dick N1NYW

The Androscoggin Amateur Radio Club held a meeting at Russell Park in Lewiston February 4, 2009. In attendance: n1llu, n1jd, n1nyw, k1wtx, kb1doi, kb1sud, kb1qhr, w1scm and son Charles, n1lura, kb1rsd, n1wfo, n1kat, we1u, kb1otj, wa1eoj, n1dot, wb1hfy, n1svb, kb1ogs.

Cory n1lura started the ARES meeting a 6:37 PM. Cory showed us his "ready kit" or "go kit" which includes QRP radios, portable antennas, solar panels, computer, solar powered battery charger and many other items. Also David we1u showed off his back pack go kit. Cory proposed having the on the air ARES meeting rotate from week to week, two meters, six meters, and 440 MHz. He will wait until Howies repeater is moved to the .61 site to change the ARES meeting frequencies if he does at all. The next ARES exercise probably will be a Thorncrag, stay tuned for details. ARES meeting adjourned at 7:14 PM.

The Androscoggin Club meeting was called to order at 7:18 PM by President Bill Woodhead n1kat. David we1u made a motion to accept the minutes of the January over the air meeting as printed in the ACORN. Andy kb1doi seconded the motion. Vote: approved.

Because Ivan the Treasurer was absent he left the report with Bill n1kat who read it. David we1u motioned to accept the report and Andy kb1doi seconded the motion. Vote: approved.

Bill and Cory gave a list of vendors and speakers lined up so far for the convention in March. So far a box of "trinkets" from ICOM has arrived to be given away at the convention.

Bill reports there are several proposed laws to limit cell phone use or hand held devices which could effect ham radio operators and keep us from helping Maine Emergency Management, the Red Cross, hospitals and others. Bill urges hams to talk to their representatives and be sure to get an exception for ham radio included in any legislation.

Bill reminded us about the QSO party and talked about the fact it comes on the NEAR FEST weekend and thought maybe it should be changed to another weekend so more hams can participate.

Bill reminded us of the hamfest at Chelsea on February 21 ST.

David we1u mentioned the general license ham radio class going on at Edward Little High School and adds that it is not to late to join the class.

Bill and Cory want to remind us that Field Day is four months away. Cory thinks we should have practice sessions for using the computers to log and have an antenna party to get them ready to deploy.

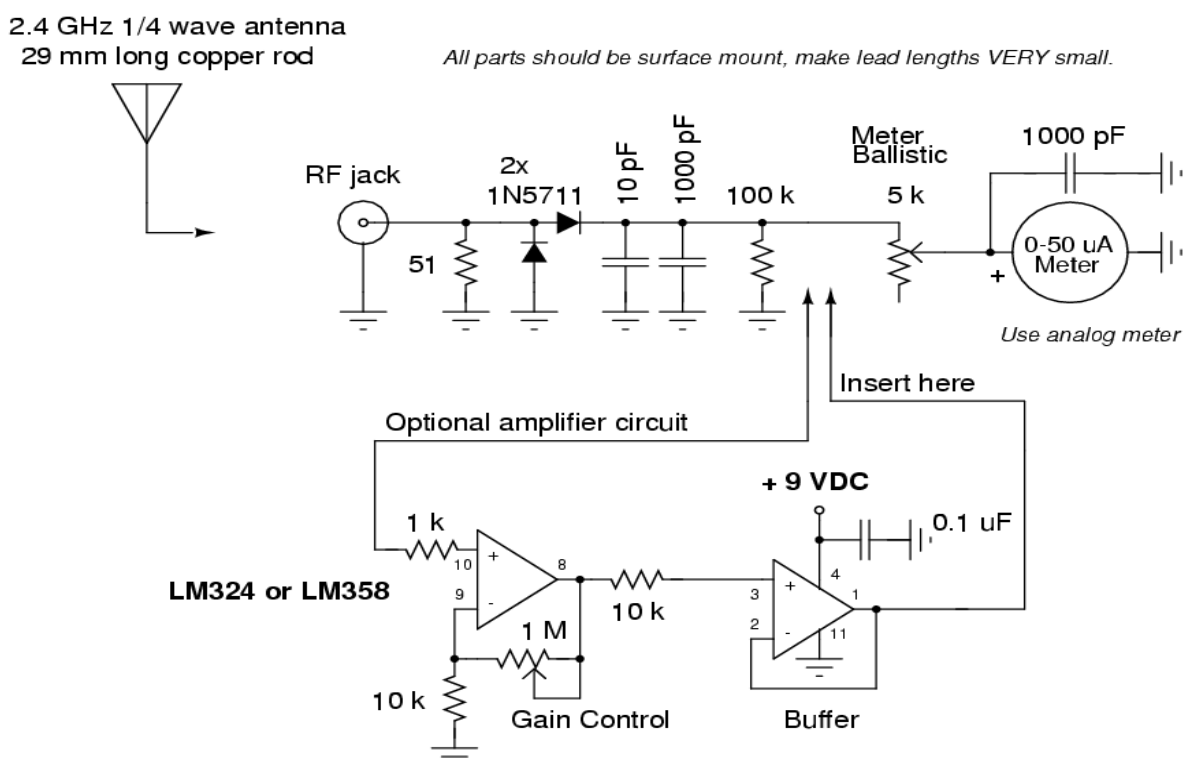
Bill kb1ogs says the 10 meter net is going well but may switch to a different night to get more people to participate. Bill Woodhead suggested trying a net Sunday morning after the tri-county net on 28.460.



Circuit of the Month – David WE1U

Field Strength Meter,FSM, can be used to check antennas for radiation pattern and tuning. Finding hidden transmitters in a foxhunt is an other use of a FSM. Various circuit can be used for a FSM, see Sources below. The most basic is just a diode across a meter with a lead to detect the rf signal. Adding a tuned circuit narrows the frequencies the FSM responds to and amplification improves the sensitivity. Audio output changing pitch with signal strength keeps the eyes free. This circuit for GHz caught my eye.

Simple Field Strength Meter



Source: http://www.qsl.net/n9zia/wireless/pics/fs_meter.png

Additional Sources:

http://www.mds975.co.uk/Content/amateur_radio_projects.html

<http://www.talkingelectronics.com/projects/FieldStrengthMeterMkII/FieldStrengthII.html>

<http://www.zen22142.zen.co.uk/Circuits/rf/fsm.htm>

<http://freecircuitdiagram.com/2009/02/02/field-strength-meter/>

<http://www.circuitstoday.com/field-strength-meter>

http://www.utaharc.org/rptr/wdr_fsm1.html



Nets Listing - David WE1U

HF Nets 75m	
Maine Public Service Net 9:00am Sunday 3940 khz. Maine Emergency Net 4:30pm Sunday 3940 kHz Seagull Net 5:00pm Monday - Saturday 3940 kHz New England Weather Net 5:30am Daily 3905 kHz http://newn.org/ New Hampshire ARES Net 8:30am Saturdays 3943 MHz http://ares.arrlnh.org/	Green Mountain Net 5:00pm Monday – Saturday 3933 kHz LSB http://www.hamelectronics.com/gmn/ Vermont Net 7:30pm daily 3857 kHz http://www.vermontnet.net/ Cumberland County Emergency Net Sunday 7:30pm 147.090+ 100Hz pl Franklin County Emergency Net Wednesday 7:00pm 147.180+ no-pl Mid-Coast ARES Net Monday 7:30pm 147.210+ 100 Hz pl
Androscoggin Ragchew 7:30pm Tuesday and Thursdays 50.2MHz USB	28.46 MHz USB Net 7:30pm Fridays

Nets on the KQ1L Linked Repeater System http://www.kq1l.com/	
12 County Net	Sunday 0930EST
Swap Net	Sunday 1900EST
28/88 VHF TRAFFIC NET (formerly Tri-County ARES Net)	Sunday 2000 EST
Oxford County ARES Net	Monday 1930 EST
Maine Elmer Net	Tuesday 1900 EST
WAWA Net	Wednesday 1930 EST
SKYWARN Training Net	Wednesday 2030 EST
YL and OM Net	Thursday 2000 EST
Slow Scan TV Net	Friday 1900 EST
Digital Discovery Net	Friday 20:30 EST
SKYWARN Training Net http://www.wx1gyx.org/	Saturday 1930 EST



DX News - Earle N1SVB

The past month we made 42 DX contacts representing 29 different countries. The antenna is still pointed south and will most likely stay that way until spring when we can investigate the rotor and cable further to determine what the problem is. Countries worked in January were:

ZD8, Ascension Isl.; EA6, Balearic Isl.; 9A2, Croatia; 4A1, Mexico; HR9, Roatan Isl.; LU4, Argentina; 9Z4, Trinidad; E70, Bosnia-Herzegovina; CF7, Canada; PY3, Brazil; TS7, Tunisia; ZS3, South Africa; 6W1, Senegal; ON4, Belgium; HG1, Hungary; KH6, Hawaii; 3DA0, Swaziland; VP8, Falkland Isl.; HI3, Dominican Rep.; CV5, Flores Isl.; XR27, Chile; YT1, Serbia; J79, Dominica; XF3, Cozumel Isl.; RW0, Asiatic Russia; AX0, Antarctica; IT9, Sicily; SV8, Samos Isl.; LM9, Norway.

There were no real exotic countries worked this past month but we did work several YL's on a DXpedition to Falkland Isl. We did contact KH6HH for a Pacific contacts this month. We also contacted RW0CN, Asiatic Russia for a Eastern Russia contact

There are several DXpeditions to various parts of the world coming up in March. Some haven't been assigned a call as yet or the operators will use the country prefix and their home call.

Mar. 01 to Mar.07	C6A	Bahama	Mar.14 to Mar. 16	T88WW	Palau
Mar. 02 to Mar.16	H2/	Temotu	Mar.14 to Mar. 27	VK9AA	Cocos (Keeling)
Mar. 04 to Mar.11	V63AR	Micronesia, Various Is.	Mar.15 to Mar. 22	VK9N	Norfolk Is
Mar. 04 to Mar.11	V63WW	Micronesia, Various Is.	Mar.17 to Mar.19	NH0AA	Guam
Mar. 04 to Mar. 09	FP/	St Pierre & Miquelon	Mar.17 to Mar.19	KH2/	Guam
Mar. 05 to Mar.19	CT3	Madeira	Mar.19 to Mar. 25	4K0CW	Azerbaijan
Mar. 06 to Mar.11	ZL7T	Chatham Is			
Mar. 07 to Mar.12	S2/	Bangladesh	Mar. 21 to Apr. 04	E5/	So. Cook Is
Mar.10 to Mar. 19	V2/	Antigua	Mar. 22 to Apr. 11	FG/	Guadeloupe
Mar.10 to Mar. 15	FT5XS	Kerguelen Is	Mar. 24 to Apr. 03	VK9LA	Lord Howe Is
Mar.11 to Mar. 14	V73J	Marshall Is	Mar. 25 to Apr. 03	JY0AAC	Vanuatu
Mar.11 to Mar. 14	V73M	Marshall Is	Mar. 25 to Apr. 02	J6/	St. Lucia
Mar.11 to May 11	5X1NH	Uganda	Mar. 25 to Apr. 05	C9/	Mozambique
Mar.12 to Mar. 17	V4/	St. Kitts & Nevis	Mar. 28 to Apr. 04	GT4BRS	Isle of Man
Mar.12 to Mar. 16	J38/	Grenada	Mar. 30 to Apr. 11	PJ2/	Bonaire, Curacao
Mar.14 to Mar. 16	T88CD	Palau	Mar. 31 to Apr.05	EA8/	Canary Is

CQWW WPX Contest, SSB, Mar. 28 – 29, 2009

The above DXpeditions are correct to the 10th of the month prior to printing the A.C.O.R.N. For additions after that date, go to my web page and click On the link "Reported DXpeditions by NG3K".

I invite any club members that have a computer to visit my web page. The address is:

<http://www.qsl.net/n1svb/>

